



TE & TA Series

CURRENT TRANSFORMER WITH MAGNETIC CORE IMMERSED IN RESIN

- CURRENT TRANSFORMER – TE095H85**

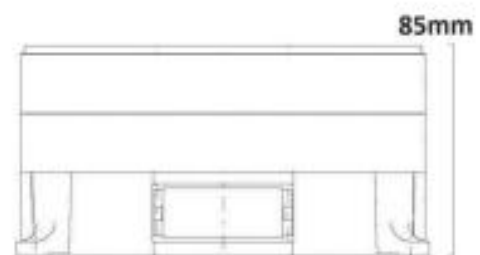
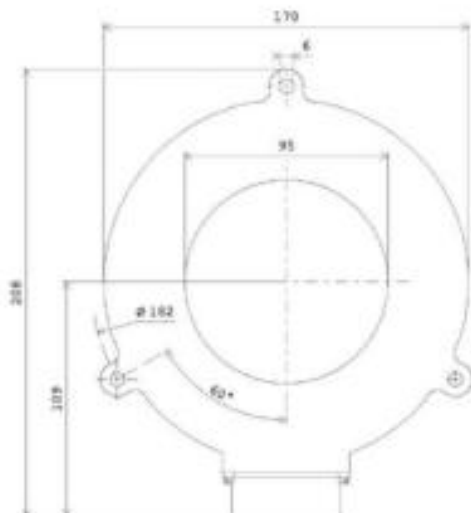


MEASURE CURRENT TRANSFORMER in ABS, UL94-V0 case, suitable for primary current by cable with max diameter 95mm.

Magnetic core immersed in EPOXY resin

Standards: CEI EN 61869-1 (2009-09), CEI EN 61869-2 (2012-11)

Available Primary current :	1000A
Available Secondary current :	1A
Accuracy class :	5P20
Burden :	20 VA
Permanent overload :	1,2 I _n
Thermal current (I _{th}) :	40 I _{pn} / 1 sec.
Dynamic current (I _{dyn}) :	2,5 I _{th}
Frequency :	50-60 Hz
Temperature range :	-25°C +40°C
Relative humidity :	≤ 85% suitable for tropical climates
Insulation class :	E
Insulation voltage :	0,72 kV
Test voltage :	3 kV at 50Hz for 1 minute
Secondary terminals :	S1-S2
Protection degree on terminals :	IP40
Sealable terminal cover	included
Fixing system :	on the wall





- CURRENT TRANSFORMER – TE095H60**

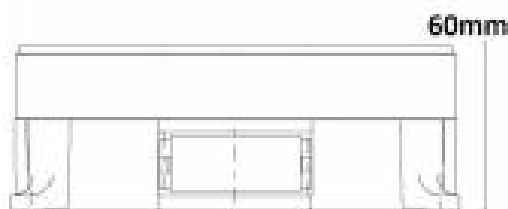
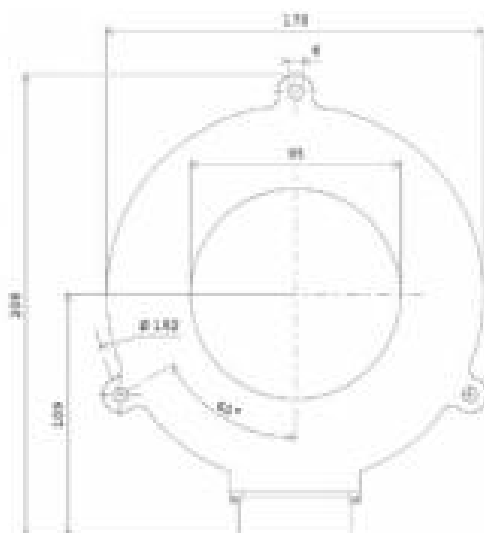


MEASURE CURRENT TRANSFORMER in ABS, UL94-V0 case, suitable for primary current by cable with max diameter 95mm.

Magnetic core immersed in EPOXY resin

Standards: CEI EN 61869-1 (2009-09), CEI EN 61869-2 (2012-11)

Available Primary current :	1000A
Available Secondary current :	1A
Accuracy class :	5P20
Burden :	15 VA
Permanent overload :	1,2 In
Thermal current (Ith) :	40 Ipn / 1 sec.
Dynamic current (Idyn) :	2,5 Ith
Frequency :	50-60 Hz
Temperature range :	-25°C +40°C
Relative humidity :	≤ 85% suitable for tropical climates
Insulation class :	E
Insulation voltage :	0,72 kV
Test voltage :	3 kV at 50Hz for 1 minute
Secondary terminals :	S1-S2
Protection degree on terminals :	IP40
Sealable terminal cover	included
Fixing system :	on the wall





- CURRENT TRANSFORMER – TE095H35**

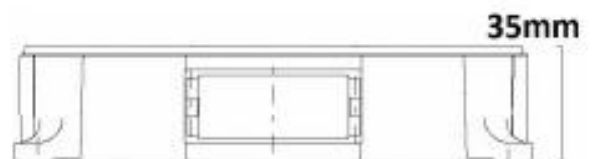
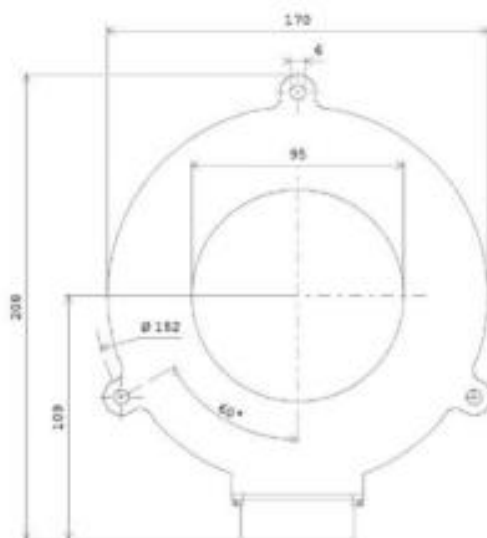


MEASURE CURRENT TRANSFORMER in ABS, UL94-V0 case, suitable for primary current by cable with max diameter 95mm.

Magnetic core immersed in EPOXY resin

Standards: CEI EN 61869-1 (2009-09), CEI EN 61869-2 (2012-11)

Available Primary current :	2200A
Available Secondary current :	2A
Accuracy class :	5
Burden :	10 VA
Permanent overload :	1,2 In
Thermal current (Ith) :	40 Ipn / 1 sec.
Dynamic current (Idyn) :	2,5 Ith
Frequency :	50-60 Hz
Temperature range :	-25°C +40°C
Relative humidity :	≤ 85% suitable for tropical climates
Insulation class :	E
Insulation voltage :	0,72 kV
Test voltage :	3 kV at 50Hz for 1 minute
Secondary terminals :	S1-S2
Protection degree on terminals :	IP40
Sealable terminal cover	included
Fixing system :	on the wall





- CURRENT TRANSFORMER - TE105**

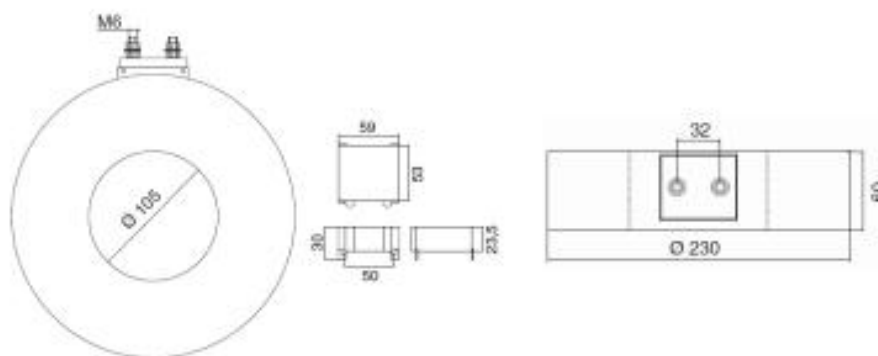


Protection current transformer in ABS- V0 case

Magnetic core immersed in resin

Standards: EN 61869-1 2009-09, EN 61869-2 2012-11

Primary current :	50 A to more other
Secondary current :	5 A – 1 A
Accuracy class :	0,2 0,5 1 3 5 5P5 to more other
Burden :	1 VA to more other
Permanent overload :	1,2 I _n
Thermal current (I _{th}) :	40 I _{pN} x 1 sec.
Dynamic current (I _{dyn}):	2,5 I _{th}
Frequency :	50-60 Hz
Working temperature :	20°C +/- 10°C respecting the accuracy class
Temperature range :	-20°C +50°C
Relative humidity :	80%
Insulation class :	II
Insulation voltage :	0,72 kV
Test voltage :	3 kV at 50Hz for 1 minute
Secondary terminals :	S1-S2
Protection degree :	IP40
Sealable terminal cover	included
Fixing system :	on wall (central hole diameter 105mm)



Sealable terminal cover



- CURRENT TRANSFORMER - TE160**

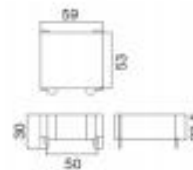
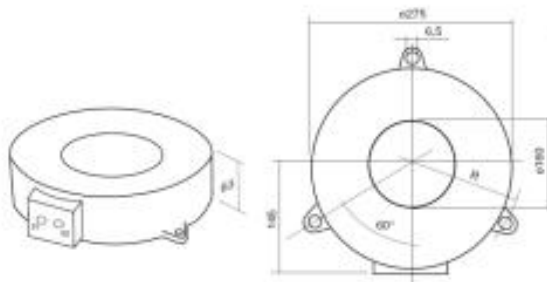


Protection current transformer in ABS- V0 case

Magnetic core immersed in resin

Standards: EN 61869-1 2009-09, EN 61869-2 2012-11

Primary current :	50 A to more other
Secondary current :	5 A – 1 A
Accuracy class :	0,2 0,5 1 3 5 5P5 to more other
Burden :	1 VA to more other
Permanent overload :	1,2 In
Thermal current (Ith) :	40 IpN x 1 sec.
Dynamic current (Idyn):	2,5 Ith
Frequency :	50-60 Hz
Working temperature :	20°C +/- 10°C respecting the accuracy class
Temperature range :	-20°C +50°C
Relative humidity :	80%
Insulation class :	II
Insulation voltage :	0,72 kV
Test voltage :	3 kV at 50Hz for 1 minute
Secondary terminals :	S1-S2
Protection degree :	IP40
Sealable terminal cover	included
Fixing system :	on wall (central hole diameter 160mm)



Sealable terminal cover



- CURRENT TRANSFORMER – TE210**

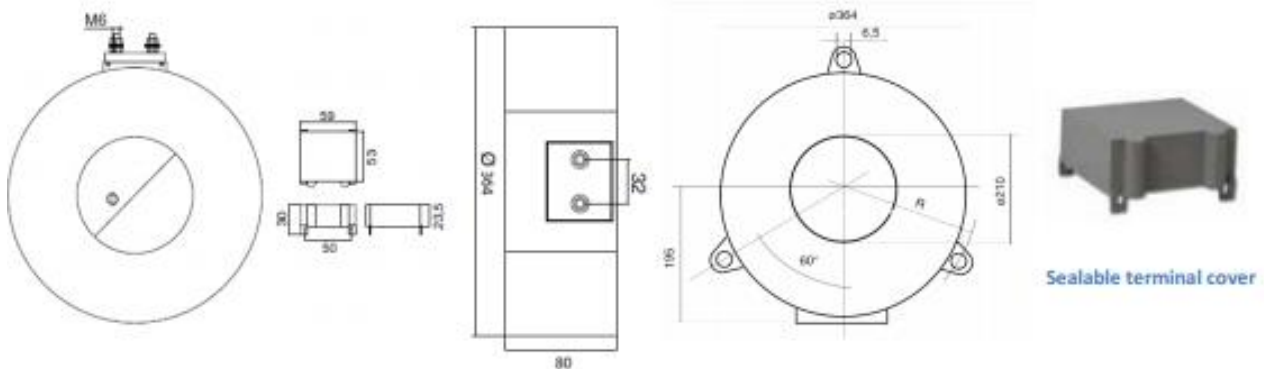


Protection current transformer in ABS- V0 case

Magnetic core immersed in resin

Standards: EN 61869-1 2009-09, EN 61869-2 2012-11

Primary current :	50 A to more other
Secondary current :	5 A – 1 A
Accuracy class :	0,2 0,5 1 3 5 SP5 to more other
Burden :	1 VA to more other
Permanent overload :	1,2 I _n
Thermal current (I _{th}) :	40 I _{pN} x 1 sec.
Dynamic current (I _{dyn}):	2,5 I _{th}
Frequency :	50-60 Hz
Working temperature :	20°C +/- 10°C respecting the accuracy class
Temperature range :	-20°C +50°C
Relative humidity :	80%
Insulation class :	II
Insulation voltage :	0,72 kV
Test voltage :	3 kV at 50Hz for 1 minute
Secondary terminals :	S1-S2
Protection degree :	IP40
Sealable terminal cover	included
Fixing system :	on wall (central hole diameter 210mm)



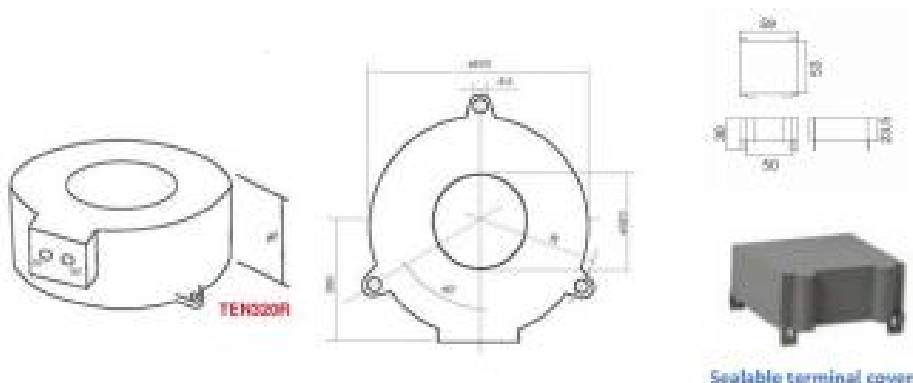


• **CURRENT TRANSFORMER – TE320**



Protection current transformer in ABS- V0 case
Magnetic core immersed in resin
Standards: EN 61869-1 2009-09, EN 61869-2 2012-11

Primary current :	50 A to more other
Secondary current :	5 A – 1 A
Accuracy class :	0,2 0,5 1 3 5 SPS to more other
Burden :	1 VA to more other
Permanent overload :	1,2 In
Thermal current (Ith) :	40 IpN x 1 sec.
Dynamic current (Idyn):	2,5 Ith
Frequency :	50-60 Hz
Working temperature :	20°C +/- 10°C respecting the accuracy class
Temperature range :	-20°C +50°C
Relative humidity :	80%
Insulation class :	II
Insulation voltage :	0,72 kV
Test voltage :	3 kV at 50Hz for 1 minute
Secondary terminals :	S1-S2
Protection degree :	IP40
Sealable terminal cover	included
Fixing system :	on wall (central hole diameter 320mm)



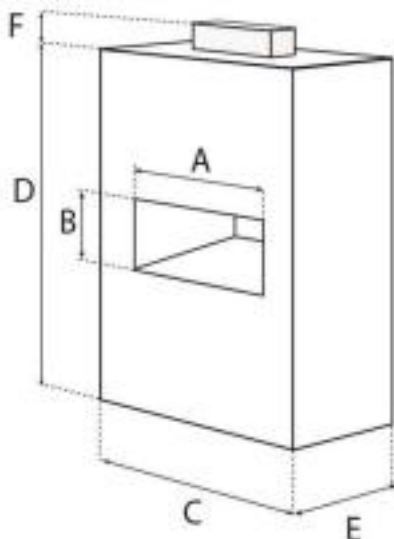


- CURRENT TRANSFORMER – TATM**



Protection Current Transformer in METHACRYLATE case
Magnetic core immersed in ISEPOX resin
Standards: EN 61869-1 2009-09 EN 61869-2 2012-11

Available Primary current :	4331A
Available Secondary current :	2A
Accuracy class :	5
Burden :	10 VA
Permanent overload :	1,2 In
Thermal current (Ith) :	40 Ipn / 1 sec.
Dynamic current (Idyn) :	2,5 Ith
Frequency :	50-60 Hz
Temperature range :	-25°C +40°C
Relative humidity :	≤ 85% suitable for tropical climates
Insulation class :	E
Insulation voltage :	0,72 kV
Test voltage :	3 kV at 50Hz for 1 minute
Secondary terminals :	S1-S2
Protection degree on terminals :	IP40
Sealable terminal cover	included



A	B	C	D	E	F
180	80	230	140	40	21

