



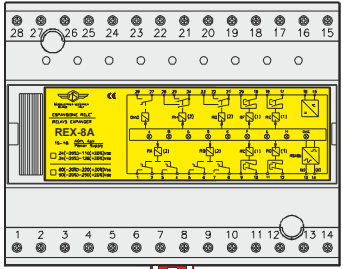
REX-8

NC. X6-R1

EXPANSION MODULE FOR M-LINE RELAYS



- Slave module serial controlled for expansion of output relays
- 8 user programmable relays
- 1 diagnostic relay
- DIN Rail mounting (EN50022)
- No operation time delay



The unit REX-8 is connected to the M-Line relay via a serial link. It allows to expand the number of output relays operated by the M-Line unit to which it is associated.

Each function (instantaneous and /or time delayed) of the master M-Line unit can be programmed to control up to 4 output relays selected in any way among its internal relays (R1 R2 R3 R4) and / or those of its slave expansion module REX-8.

The expansion module offers the following main features:

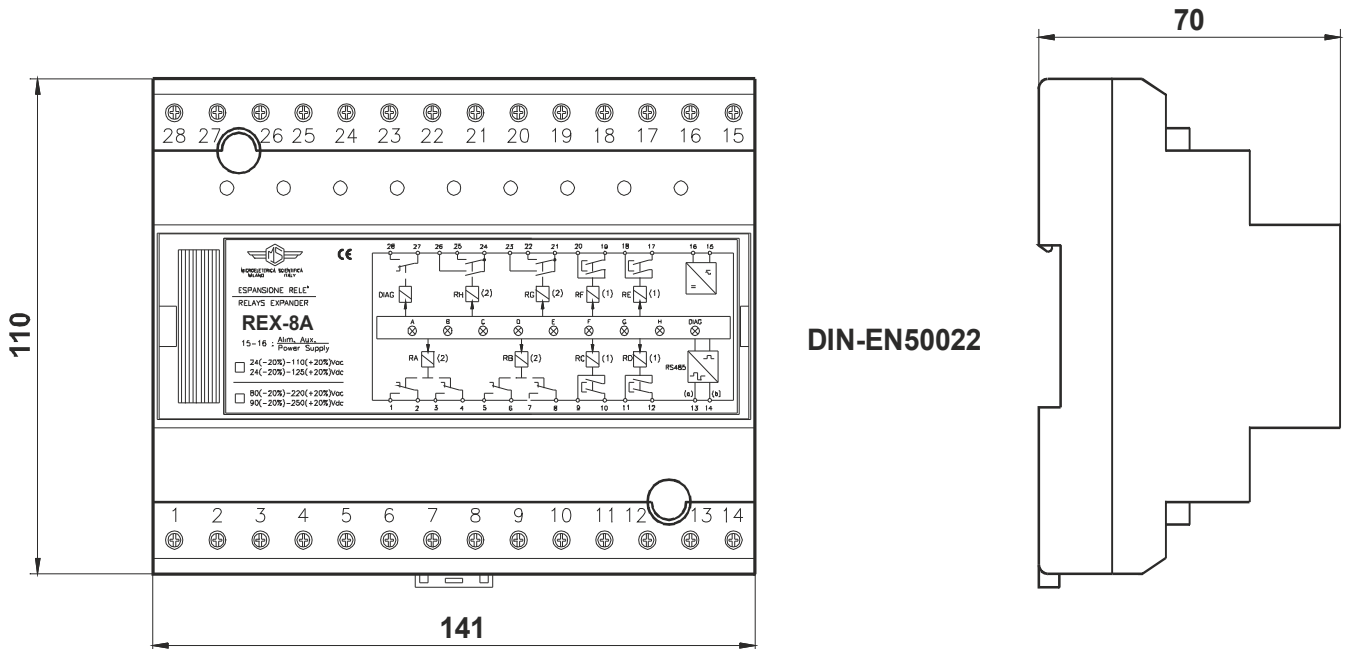
- Protruding mounting enclosure with screw terminals for cables up to 4 sq. mm
- Auto ranging power supply: 72-300 V DC ; 64-264 V AC or 19-150 V DC ; 18-132 V AC
- Serial control input.
- 8 independent programmable output relays (4 Type 1 + 4 Type 2 or Type X).
- 1 normally energized alarm relay for monitoring of Power Supply Failure, Internal Fault, Fault on serial control link.
- Conform to IEC / IEEE standards and CE directive.
- No additional trip / reset time delay.

Contacts Rating			
Relay Type	1	2	X
N° of contacts / form	1 N/O	2 N/O	1 N/O + 1N/C
Rated Voltage	350	350	350
Rated Current	5A	5A	5A
A.C. resistive switching	1900W Max 440V	1100W Max 380V	1100W Max 380V
Make (peak A)	30A x 0.5s	30A x 0.5s	30A x 0.5s
D.C. break L/R = 40 ms (100.000 Ops.)	0.3A - 250V	0.3A - 125V(*)	0.3A - 125V
(*) 250V with the contacts in series			

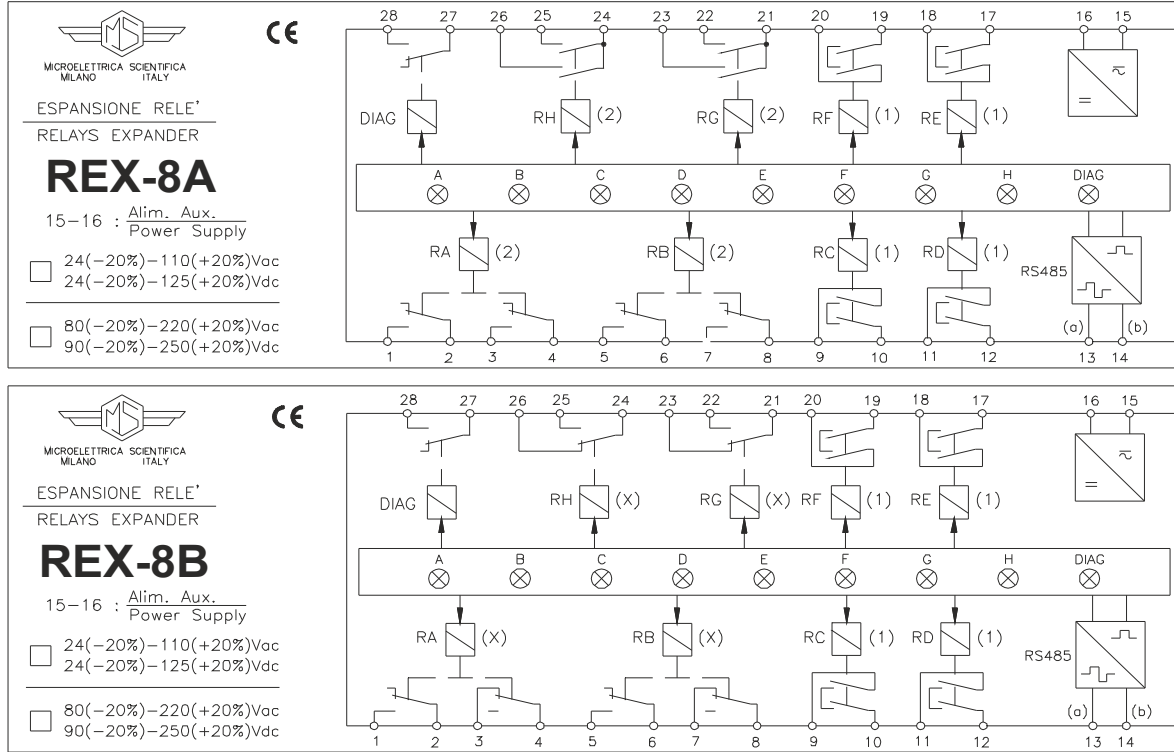
Available Configuration

- TYPE **REX8-A** : 4 relays type1 + 4 relays type 2
- TYPE **REX8-B** : 4 relays type1 + 4 relays type X

Overall Dimensions



▼ Connexion Diagram



SCE1517-R3

▼ Ordering data

Power supply

- Type 1 : 24 à 100 Vac et 24 à 125 Vdc ± 20 %.
- Type 2 : 80 à 220 Vac et 90 à 250 Vdc ± 20 %.

Type

- REX - 8A
- REX - 8B

Special request _____

Quantity _____

