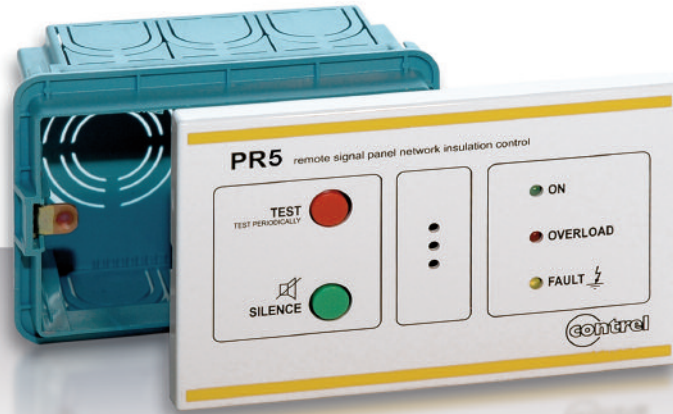


GENERAL



PR 5

Panels of remote signalling PR allow to give alarm signalling of insulation's monitoring devices HRI.

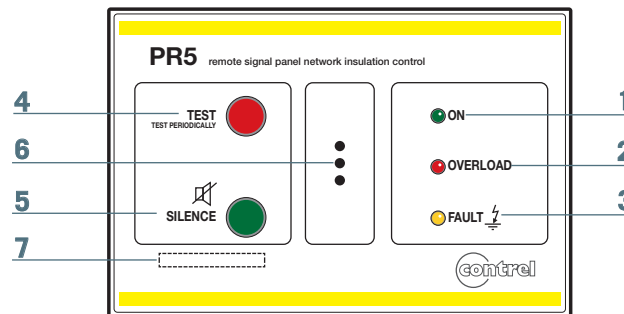
HRI devices monitor permanently insulation's level and the overload of supply network in medical use rooms (IT- M networks).

Signals of low insulation alarm and/or overload could be signalled in rooms supplied from network and by board, which incorporate signals with LED of active device and low insulation alarm (and overload, if it is

forecasted).

They have also an acoustic signaller incorporated, a test button and a button for stopping acoustic signal.

Board is flush mounted universal box (E503) in order to be located in rooms supplied by under-control network. Maximum of repeater boards associable with HRI device is 2.



MODEL

PR5 Repeater panel for HRI-R22t, HRI-R24, HRI-R40V, HRI-R40W (indication of low insulation alarm)

- 1 green LED of signalling active device (voltage presence)
- 2 red LED of sigalling overload or overtemperature
- 3 yellow LED of sigalling FAILURE (low insulation)
- 4 test button for testing functionality of HRI system and PR board
- 5 internal buzzer
- 6 internal buzzer
- 7 space for notes