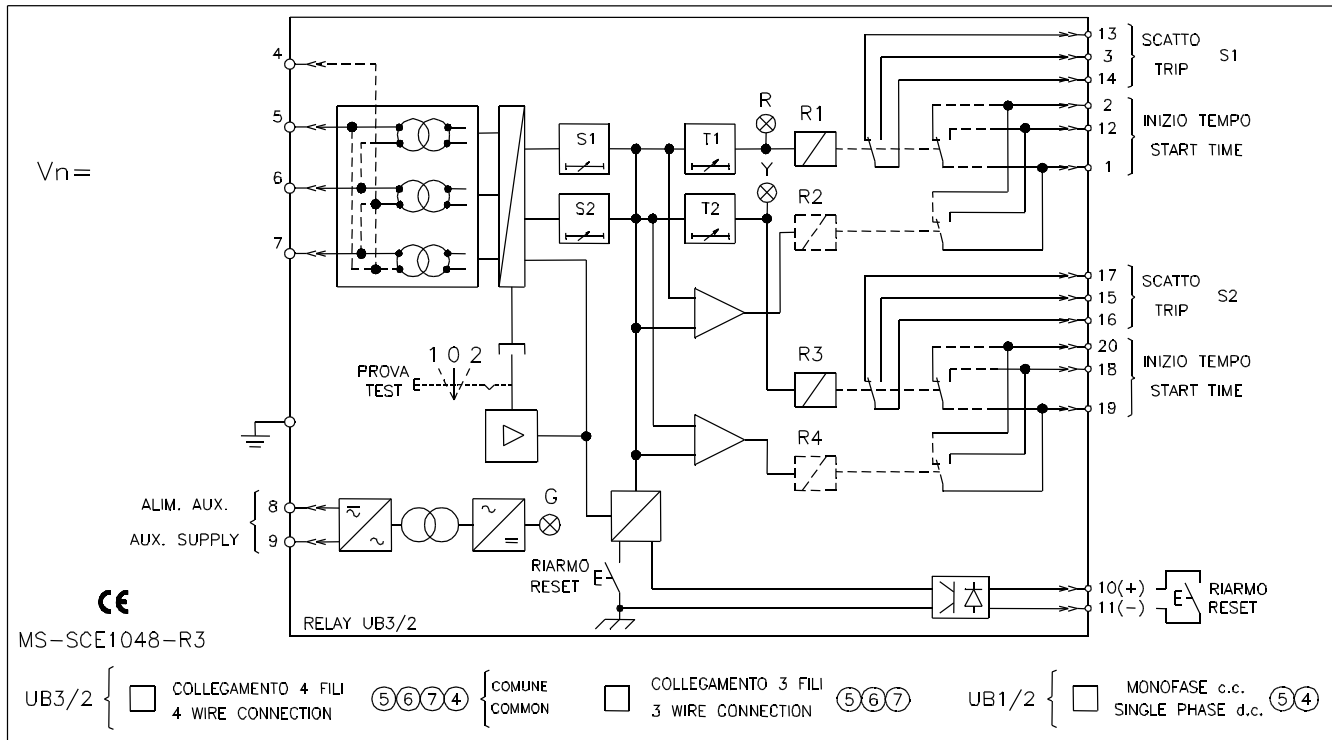


Schéma de branchement - Connexion diagram



Information à fournir à la commande - Ordering data

- UB1/227 monophasé - 2 seuils à minimum de tension
UB1/227 single phase - 2 undervoltage levels
- UB3/227 triphasé - 2 seuils à minimum de tension
UB3/227 three phase - 2 undervoltage levels
- UBC/280 2 seuils à minimum de tension continue
UBC/280 2 undervoltage levels of DC voltage
- UB1/259 monophasé - 2 seuils à maximum de tension
UB1/259 single phase - 2 overvoltage levels
- UB3/259 triphasé - 2 seuils à maximum de tension
UB3/259 three phase - 2 overvoltage levels
- UBC/245 2 seuils à maximum de tension continue
UBC/245 2 overvoltage levels of DC voltage

Source auxiliaire - Power supply

- Type 1 : 24...110 Vca - 24...125 Vcc +/-20%
- Type 2 : 80...220 Vca - 90...250 Vcc +/-20%

Montage - Execution

- Encastré - *Flush mounting*
- En saillie - *Surface mounting*
- Rack 19" 3U - *Standard rack 19 3U*

Calibre - Rated input

- Un = 100v
- Un = 110V
- Un = 220V
- Un = 380V
- Fn = 50Hz
- Fn = 60Hz
- Tension continue

Seuils - Settings range

- Ao,Bo = 0.15: V1,V2 = (0.15...0.9) Vn
- Ao,Bo = 0.35: V1,V2 = (0.35...1.1) Vn
- Ao,Bo = 0.55: V1,V2 = (0.55...1.3) Vn

Temporisations - Time delays

- K1,K2 = 0.1: T1,T2 = (0.1...1.6) sec
- K1, K2 = 0,5: T1,T2 = (0,5...8,3) sec
- K1,K2 = 1: T1,T2 = (1...16) sec

Entrée/Sortie - Input/Output

- 2 Sorties temporisées avec 2 inverseurs
2 delayed outputs with 2 reversing switches
- Sortie instantanée - *Instantaneous output*
- Sortie blocage - *Blocking output*

**Demande spéciale
Special request**

Quantité
Quantity

