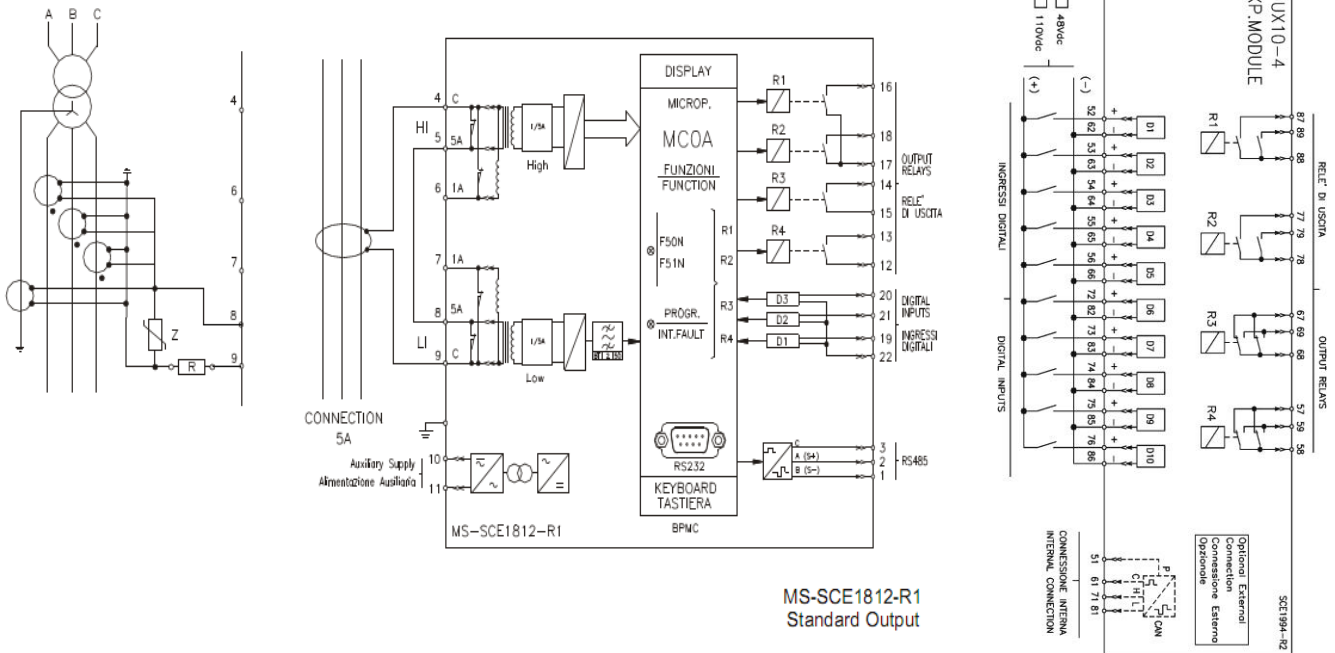




Schéma de branchement – Connexion diagram



MCOA

1S10

Information à fournir à la commande – Ordering Data

Entrées logiques – Digital inputs

- 48Vdc
- 110 Vdc
- 125Vdc

Source auxiliaire – Auxiliary supply

- Type 1 : 24...110 Vac – 24...125 Vdc +/-20%
- Type 2 : 80...220 Vac – 90...250 Vdc +/-20%

Montage – Execution

- Encastré – Flush mounting
- En saillie – Surface mounting
- Rack 19" 3U – Standard rack 19"3U

Calibre nominal – Rated input

- | | |
|---------------------------------------|--|
| <input type="checkbox"/> In (HI) = 1A | <input type="checkbox"/> Ion (LI) = 1A |
| <input type="checkbox"/> In (HI) = 5A | <input type="checkbox"/> Ion (LI) = 5A |

Demande spéciale – Special request _____

Quantité – Quantity _____

