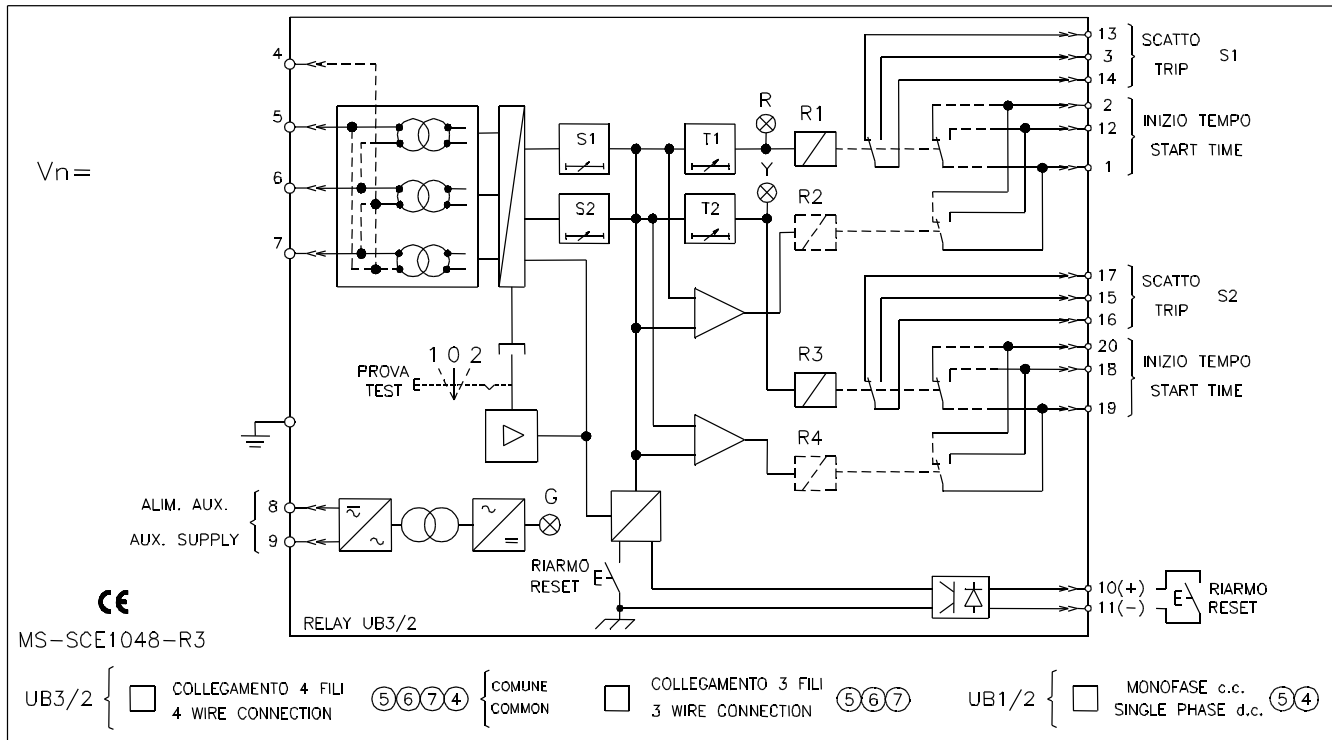


Schéma de branchement - Connexion diagram



Information à fournir à la commande - Ordering data

- UB1/2 monophasé - $V < (27) + V > (59)$
UB1/2 single phase - $V < (27) + V > (59)$
- UB3/2 triphasé - $V < (27) + V > (59)$
UB3/2 three phase - $V < (27) + V > (59)$
- UBC/2 DC - $V < (27) + V > (59)$
UBC/2 DC - $V < (27) + V > (59)$

Source auxiliaire - Power supply

- Type 1 : 24...110 Vca - 24...125 Vcc +/-20%
- Type 2 : 80...220 Vca - 90...250 Vcc +/-20%

Montage - Execution

- Encastré - Flush mounting
- En saillie - Surface mounting
- Rack 19" 3U - Standard rack 19 3U

Calibre - Rated input

- Un = 100v
- Un = 110V
- Un = 220V
- Un = 380V

- Fn = 50Hz
- Fn = 60Hz
- Tension continue

Seuils - Settings range

- Ao,Bo = 0.15: V1,V2 = (0.15...0.9) Vn
- Ao,Bo = 0.35: V1,V2 = (0.35...1.1) Vn
- Ao,Bo = 0.55: V1,V2 = (0.55...1.3) Vn

Temporisations - Time delays

- K1,K2 = 0.1: T1,T2 = (0.1...1.6) sec
- K1, K2 = 0,5: T1,T2 = (0,5...8,3) sec
- K1,K2 = 1: T1,T2 = (1...16) sec

Entrée/Sortie - Input/Output

- 2 Sorties temporisées avec 2 inverseurs
2 delayed outputs with 2 reversing switches
- Sortie instantanée - *Instantaneous output*
- Sortie blocage - *Blocking output*

**Demande spéciale
Special request**

Quantité
Quantity

