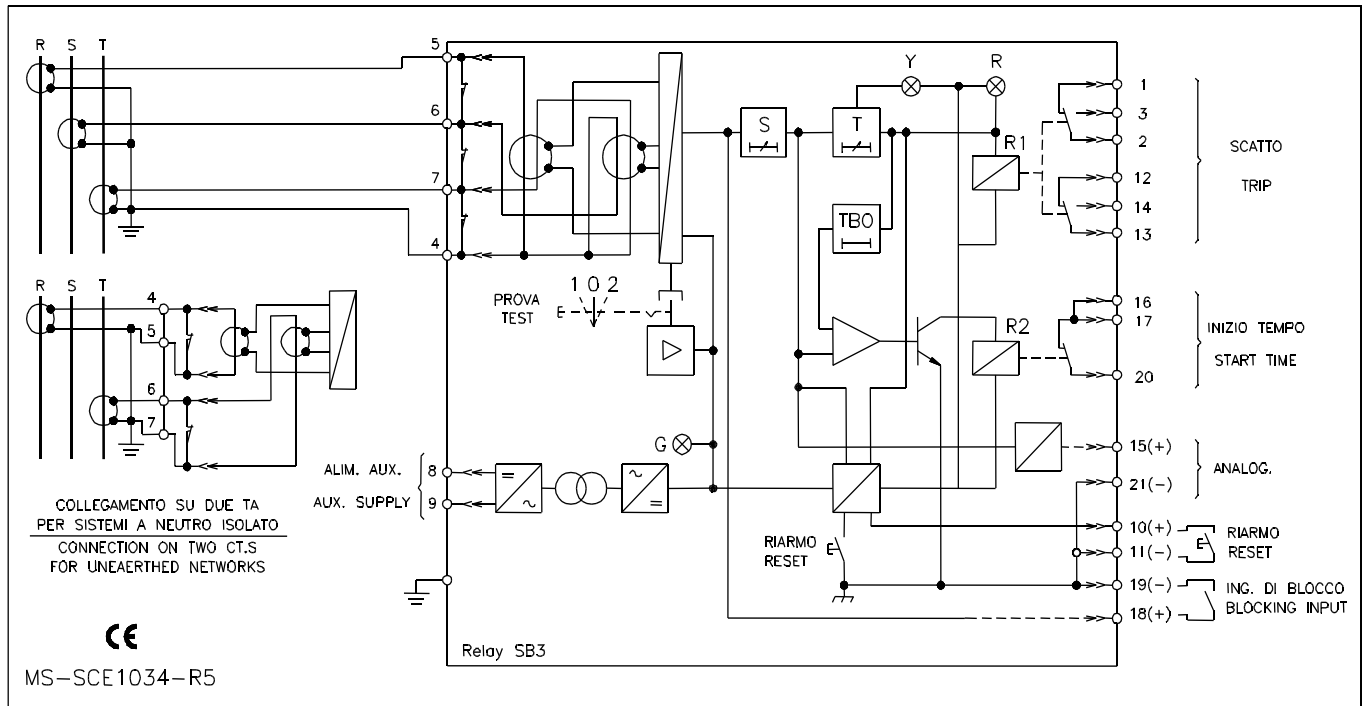


Schéma de branchement - Connexion diagram



Informations à fournir à la commande - Ordering data

- SB3/D - Temps constant / *Definite time*
- SB3/I - Temps inverse / *Inverse time*
- SB3/IM - Image thermique / *Thermal image*

Source auxiliaire - Power supply

- Type 1 : 24...100 Vac et 24...125 Vdc +/-20%
- Type 2 : 80...220 Vac et 90...250 Vdc +/-20%

Montage - Execution

- Encastré - *Flush mounting*
- En saillie - *Surface mounting*
- Rack 19" 3U - *Standard rack 19 3U*

Calibre - Rated input

- In = 1A
- In = 5A
- Fn = 50Hz
- Fn = 60Hz

Seuils - Settings range

- Ka = 1: S = 5...20 % In
- Ka = 2: S = 10...40% In

Temporisations - Time delays

- Kt = 1: T = 0,1...16 sec
- Kt = 5: T = 0,5...80 sec
- Kt = 10: T = 1...160 sec

Entrée/Sortie - Input/Output

- 1 sortie temporisée avec 2 contacts inverseurs
1 delayed output with 2 reversing switches
- Entrée blocage - *Blocking input*
- Sortie analogique - *Analogic output*
- Sortie blocage - *Blocking output*

**Demande spéciale
Special request**

Quantité
Quantity